

# *TrimPack-II*<sup>®</sup>

[www.trimpack.ca](http://www.trimpack.ca)

THE BEST  
TRIM WINDER  
AVAILABLE  
ON THE  
MARKET!



The quiet and smooth operation of the  
The *Trim Pack II*<sup>®</sup> requires little to no  
maintenance and will perform to  
expectations for years to come.

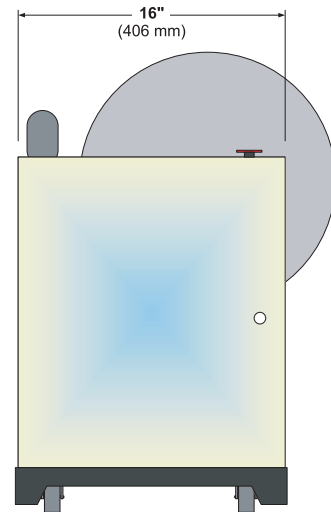
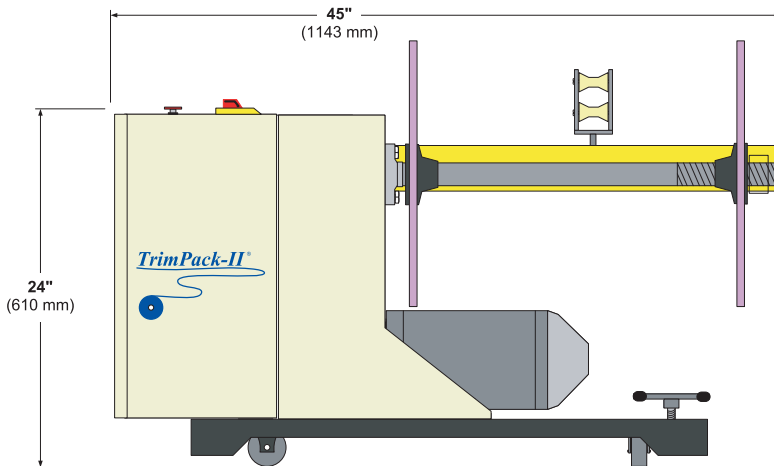
*Please see reverse for specifications  
and additional information.*

**ALL RIGHTS RESERVED**

<sup>†</sup>BASED ON OUR CUSTOMERS OPINION.

# TrimPack-II®

[www.trimpack.ca](http://www.trimpack.ca)



Packall was unable to obtain a trim winder in the marketplace that met with all of their converting requirements. Packall decided to develop, engineer and manufacture its own **TRIM WINDERS** for use in extrusion, slitting and pouch making applications. We required a compact, portable machine that provided Operators with the features that they wanted and that was easy to use. One of the things that we noticed was that when we ran thick films on our extruder the film would get jammed in the trim removal system and cause wrap ups. The *Trim Pack II*® has eliminated this problem.

The Packall Trim Winder does not require any compressed air or counter balance weights and has been thoroughly tested on extruders, slitters, bag machines and presses. It produces a compact roll that is 22" wide and 16" in diameter saving valuable floor space.

Unique features of this compact and portable machine include automatic shut down when roll reaches full diameter, automatic shutdown when trim is broken and the ability to wind two trims from the same source simultaneously.

**Our very first prototype has been running 24 hours per day, 7 days per week since its creation two years ago.**

## FEATURES

- Easy to use.
- Portable
- Automatic shut down when roll reaches maximum diameter
- Independent drive for oscillation
- Does not require any compressed air.
- Does not require cumbersome counter balance weights
- Closed loop vector A/C Motor
- Machined and welded frame

## BENEFITS

- Save Time
- Save Money
- Produce consistent rolls of material for ease of handling
- Quick removal of completed roll
- One unit can handle several different material widths
- Simple Operation
- Simple Installation
- Save on storage space / compactor space



## TRIM WINDER SPECIFICATIONS

	INFORMATION	
<b>TRIM THICKNESS</b>	0.2 to 15 mil	5.1 μ to 381 μ
<b>TRIM WIDTH</b>	1/8 to 2 1/2 in	3 mm to 64 mm
<b>TENSION</b>	0.25 to 18 lb	1 N to 80 N
<b>LINE SPEED</b>	800 FPM TrimPack-II 102	244 MPM TrimPack-II 102
<b>ELECTRIC SUPPLY</b>	208V or 230V	3ph or 1ph

